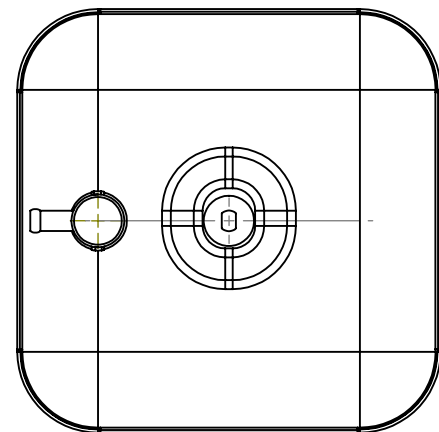


D (2:5)



KAPASITE±0,2 (L)	AFK STOK KODU	A±1 (mm)	B±1 (mm)	C±1 (mm)	ACIKLAMA
6	115AC049	30	150	270	20-30 TON
8	115AC051	30	200	360	30-36 TON

GENEL TOLERANS TABLOSU DIN 2768									
TOLERANS SINIFI	0,5 3	3 6	6 30	30 120	120 400	400 1000	1000 2000	2000 4000	
f Çok Hassas	±0,05	±0,05	±0,1	±0,15	±0,2	±0,3	±0,5	-	
m Hassas	±0,1	±0,1	±0,2	±0,3	±0,5	±0,8	±1,2	±2	
c Kaba	±0,2	±0,3	±0,5	±0,8	±1,2	±2	±3	±4	
v Çok Kaba	-	±0,5	±1	±1,5	±2,5	±4	±6	±8	

No	Part Definition	AFK S.C.	Material	Quantity
	Date	Name-Surname	Signature	
Drawn by	18.03.2013	Arzu CAVDAR		
Approved by	18.03.2013	Afsin KANDEMIR		
Scale	1:3	Part definition		
	REZERVAR TANKI ÇIKIŞ UÇLU 6 / 8 LT.		Drawing	-
			Material	HDPE (Beyaz)
			Non -defined Tolerans	(c) Kaba

