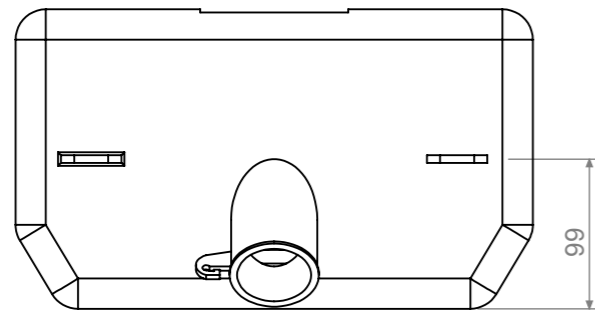
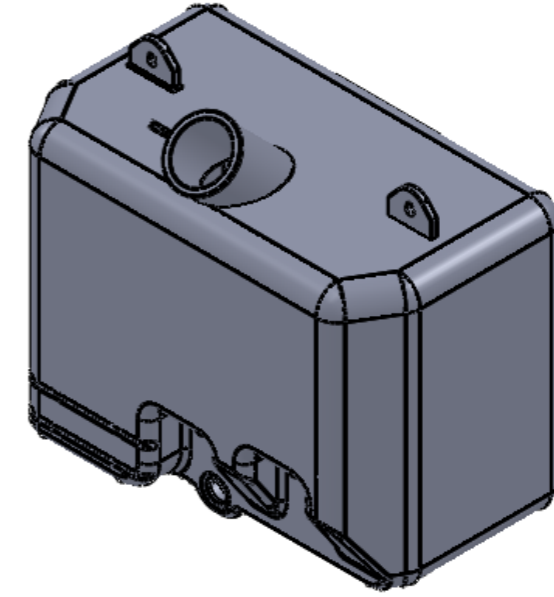


KEŞİT A-A
ÖLÇEK 1 : 5



GENEL TOLERANS TABLOSU DIN 2768									
TOLERANS SINIFI	0,5 3	3 6	6 30	30 120	120 400	400 1000	1000 2000	2000 4000	
f	Çok Hassas	±0,05	±0,05	±0,1	±0,15	±0,2	±0,3	±0,5	-
m	Hassas	±0,1	±0,1	±0,2	±0,3	±0,5	±0,8	±1,2	±2
c	Kaba	±0,2	±0,3	±0,5	±0,8	±1,2	±2	±3	±4
v	Çok Kaba	-	±0,5	±1	±1,5	±2,5	±4	±6	±8

No	Part Definition	AFK S.C.	Material	Quantity
	Date	Name-Surname	Signature	
Drawn by	16.06.2012	Arzu ÇAVDAR		
Approved by	16.06.2012	Afşin KANDEMİR		
Scale	Part definition			
	CAM YIKAMA DEPOSU			
	Drawing	115AC011 R0		
	Material	HDPE		
	Non -defined Tolerans	(c) Kaba		

AFK Otomotiv
Elektromekanik, Plastik
İmalat San. Tic. Ltd. Sti.