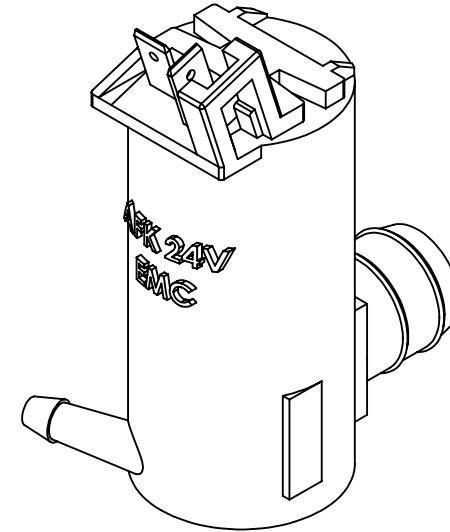
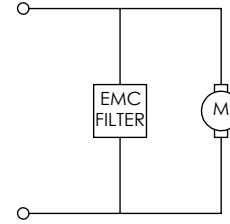


SECTION A-A
SCALE 1 : 1

Test Gerilimi 27V
Q1:1,5 lt/dk
P1:1,2 bar
I1:1,5 A

CIRCUITRY



Revisions:

Ref.Standart 9.93612 Fiat Şartnamesi

GENEL TOLERANS TABLOSU DIN 2768									
TOLERANS SINIFI	0,5 3	3 6	6 30	30 120	120 400	400 1000	1000 2000	2000 4000	
f	Çok Hassas	±0,05	±0,05	±0,1	±0,15	±0,2	±0,3	±0,5	-
m	Hassas	±0,1	±0,1	±0,2	±0,3	±0,5	±0,8	±1,2	±2
c	Kaba	±0,2	±0,3	±0,5	±0,8	±1,2	±2	±3	±4
v	Çok Kaba	-	±0,5	±1	±1,5	±2,5	±4	±6	±8

Drawn by	22.04.2009	Arzu ÇAVDAR
Approved by	22.04.2009	Afşin KANDEMİR
Scale	Part definition	
	1:1	

Date	22.04.2009	Name-Surname	Arzu ÇAVDAR	Signature
	22.04.2009		Afşin KANDEMİR	
Part definition				
DF CAM YIKAMA POMPASI 24V EMC FİLTRELİ				

AFK Otomotiv
Elektromekanik, Plastik
İmalat San. Tic. Ltd. Sti.

Drawing 107AD002 R0

Material -

Non -defined Tolerans (m) Hassas