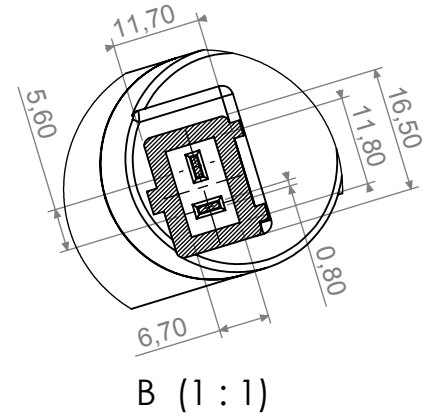
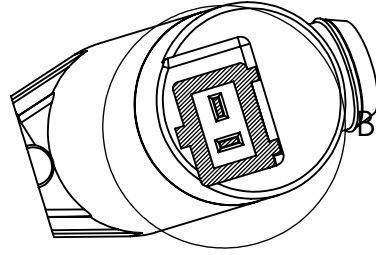
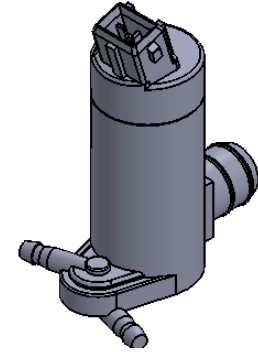
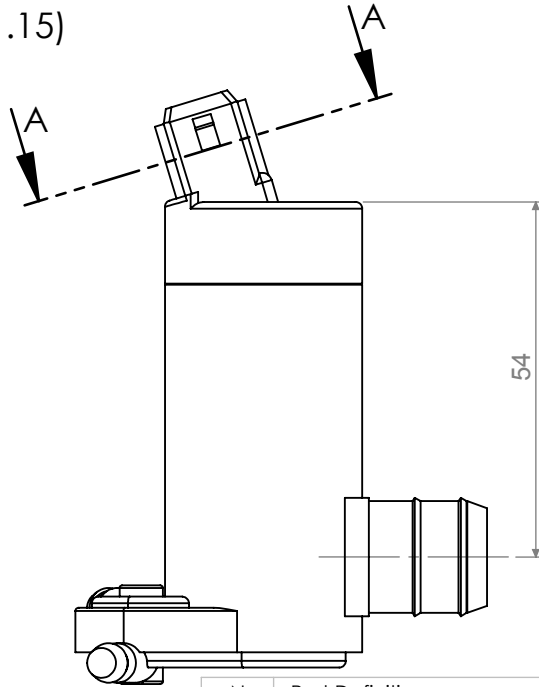
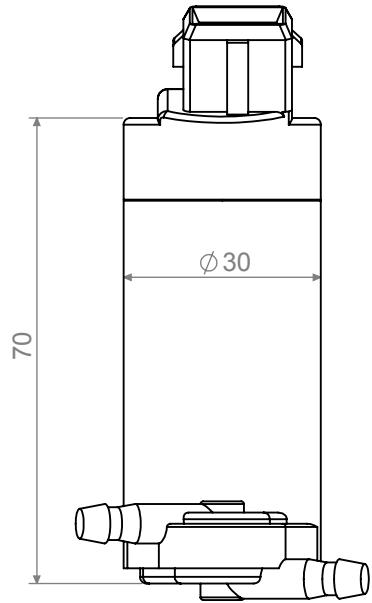


A-A (1 : 1.15)




B (1 : 1)



Test Gerilimi 13,5V
Q1 : 1,5 lt/dk
P1 : 1,3 bar
I1 : 4 A

Revisions:

No		Part Definition		AFK S.C.	Material	Quantity																																																						
<table border="1" style="width: 100%; text-align: center;"> <tr> <th colspan="9">GENEL TOLERANS TABLOSU DIN 2768</th> </tr> <tr> <th>TOLERANS SINIFI</th> <th>0,5 3</th> <th>3 6</th> <th>6 30</th> <th>30 120</th> <th>120 400</th> <th>400 1000</th> <th>1000 2000</th> <th>2000 4000</th> </tr> <tr> <td>f</td> <td>Çok Hassas</td> <td>±0,05</td> <td>±0,05</td> <td>±0,1</td> <td>±0,15</td> <td>±0,2</td> <td>±0,3</td> <td>±0,5</td> </tr> <tr> <td>m</td> <td>Hassas</td> <td>±0,1</td> <td>±0,1</td> <td>±0,2</td> <td>±0,3</td> <td>±0,5</td> <td>±0,8</td> <td>±1,2</td> </tr> <tr> <td>c</td> <td>Kaba</td> <td>±0,2</td> <td>±0,3</td> <td>±0,5</td> <td>±0,8</td> <td>±1,2</td> <td>±2</td> <td>±3</td> </tr> <tr> <td>v</td> <td>Çok Kaba</td> <td>-</td> <td>±0,5</td> <td>±1</td> <td>±1,5</td> <td>±2,5</td> <td>±4</td> <td>±8</td> </tr> </table>							GENEL TOLERANS TABLOSU DIN 2768									TOLERANS SINIFI	0,5 3	3 6	6 30	30 120	120 400	400 1000	1000 2000	2000 4000	f	Çok Hassas	±0,05	±0,05	±0,1	±0,15	±0,2	±0,3	±0,5	m	Hassas	±0,1	±0,1	±0,2	±0,3	±0,5	±0,8	±1,2	c	Kaba	±0,2	±0,3	±0,5	±0,8	±1,2	±2	±3	v	Çok Kaba	-	±0,5	±1	±1,5	±2,5	±4	±8
GENEL TOLERANS TABLOSU DIN 2768																																																												
TOLERANS SINIFI	0,5 3	3 6	6 30	30 120	120 400	400 1000	1000 2000	2000 4000																																																				
f	Çok Hassas	±0,05	±0,05	±0,1	±0,15	±0,2	±0,3	±0,5																																																				
m	Hassas	±0,1	±0,1	±0,2	±0,3	±0,5	±0,8	±1,2																																																				
c	Kaba	±0,2	±0,3	±0,5	±0,8	±1,2	±2	±3																																																				
v	Çok Kaba	-	±0,5	±1	±1,5	±2,5	±4	±8																																																				
Date		Name-Surname		Signature																																																								
Drawn by		Arzu ÇAVDAR																																																										
Approved by		Afşin KANDEMİR																																																										
Scale		Part definition																																																										
1:1,15		CAM YIKAMA POMPASI ÇİFT ÇIKIŞ 12V																																																										
		<table border="1" style="width: 100%;"> <tr> <td>Drawing</td> <td>107AA027 R0</td> </tr> <tr> <td>Material</td> <td>-</td> </tr> <tr> <td>Non -defined Tolerans</td> <td>(c) Kaba</td> </tr> </table>					Drawing	107AA027 R0	Material	-	Non -defined Tolerans	(c) Kaba																																																
Drawing	107AA027 R0																																																											
Material	-																																																											
Non -defined Tolerans	(c) Kaba																																																											