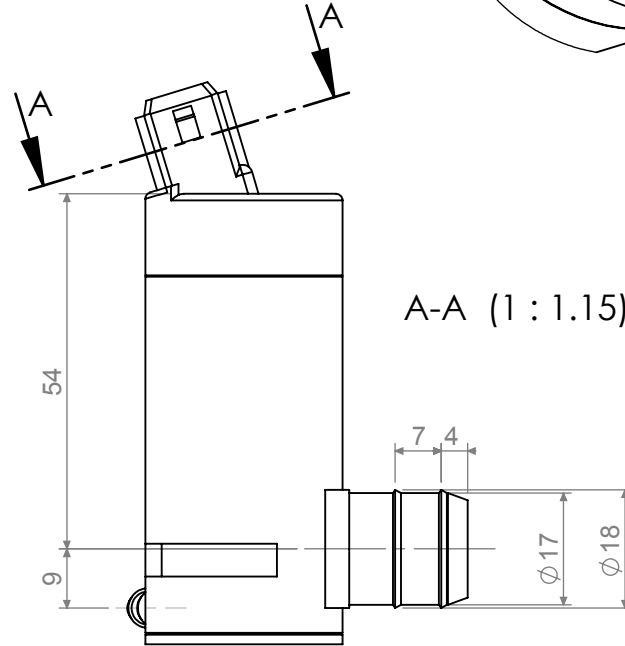
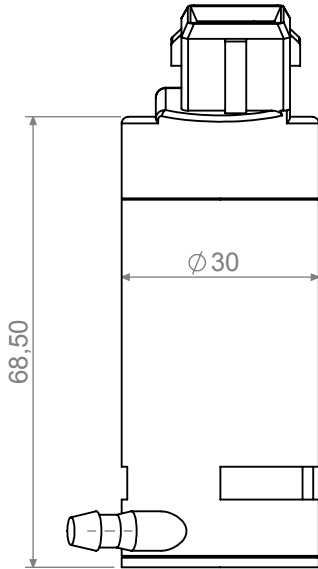


Revisions:



A-A (1 : 1.15)

Test Gerilimi 13,5V
Q1 : 1,5 lt/dk
P1 : 1,8 bar
I1 : 3,4 A

GENEL TOLERANS TABLOSU DIN 2768

TOLERANS SINIFI	0,5 3	3 6	6 30	30 120	120 400	400 1000	1000 2000	2000 4000
f	Çok Hassas ±0,05	±0,05	±0,1	±0,15	±0,2	±0,3	±0,5	-
m	Hassas ±0,1	±0,1	±0,2	±0,3	±0,5	±0,8	±1,2	±2
c	Kaba ±0,2	±0,3	±0,5	±0,8	±1,2	±2	±3	±4
v	Çok Kaba -	±0,5	±1	±1,5	±2,5	±4	±6	±8

No	Part Definition	AFK S.C.	Material	Quantity
	Date	Name-Surname	Signature	
	Drawn by	01.09.2013	Arzu ÇAVDAR	
	Approved by	01.09.2013	Afşin KANDEMİR	
	Scale	Part definition		
	1:1,15	CAM YIKAMA POMPASI TEK ÇIKIŞ 12V		
		Drawing		107AA026 R0
		Material		-
		Non -defined Tolerans		(c) Kaba

**AFK** Otomotiv  
Elektromekanik, Plastik  
İmalat San. Tic. Ltd. Sti.